



ABOVE ROOF DECK INSULATION

INSTALLATION INSTRUCTIONS

GENERAL LAYOUT

Install the Wedge-It® over top of the tar paper. No fasteners are required, the tile will hold the Wedge-It® in place.

Maintain a 1"-2" clearance between each 4 ft. batten of the Wedge-It® to allow proper water drainage.

FIG. 1a

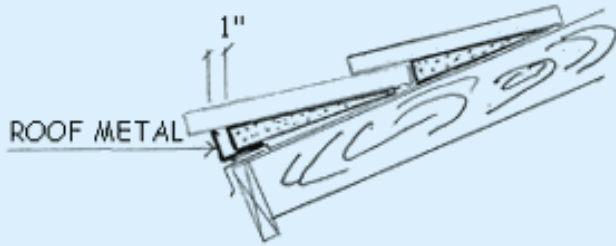
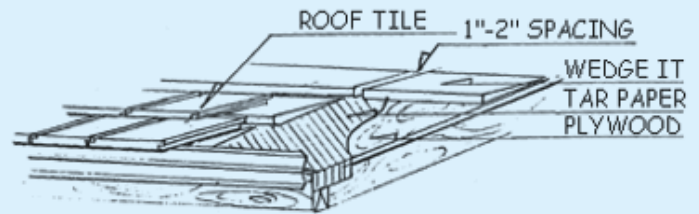


FIG. 1b



CHIMNEY DETAIL

Maintain clearance around all flashing so as not to impede proper water drainage.

Maintain a 10" clearance from the back of the chimney or skylight to the Wedge-It® course.

Maintain a 4" clearance in all areas where tile pan flashing or step flashings are installed.

FIG. 2a

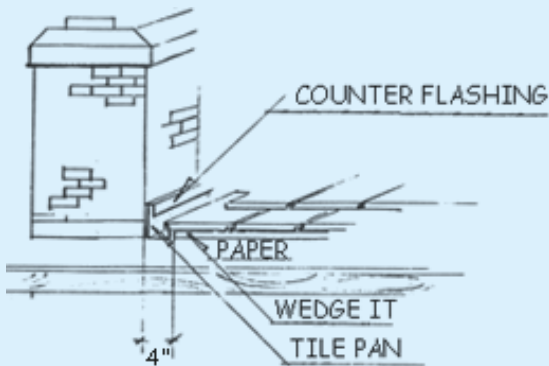
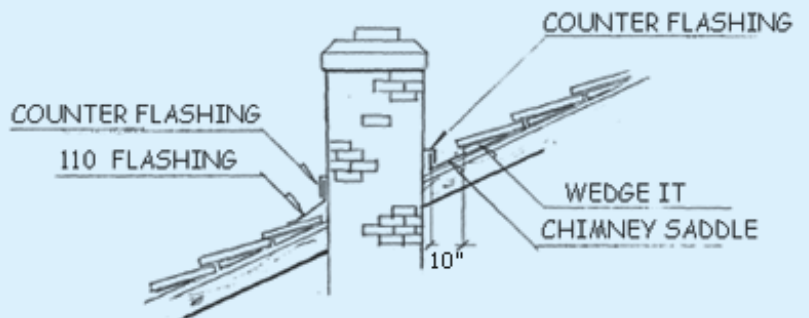


FIG. 2B



INSTALLATION INSTRUCTIONS CONTINUED....

VALLEY DETAIL

Maintain clearance in the valley so as not to impede water drainage.

Maintain a 10" clearance from the center of the valley to the Wedge-It®.

FIG. 3

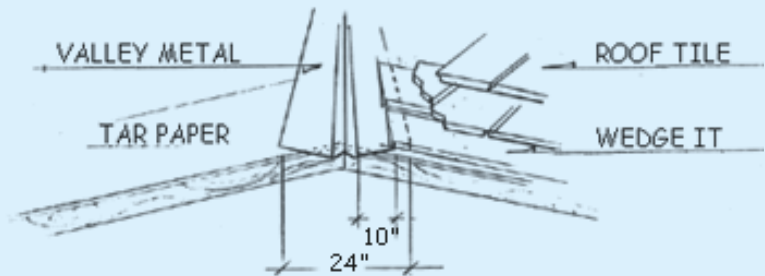
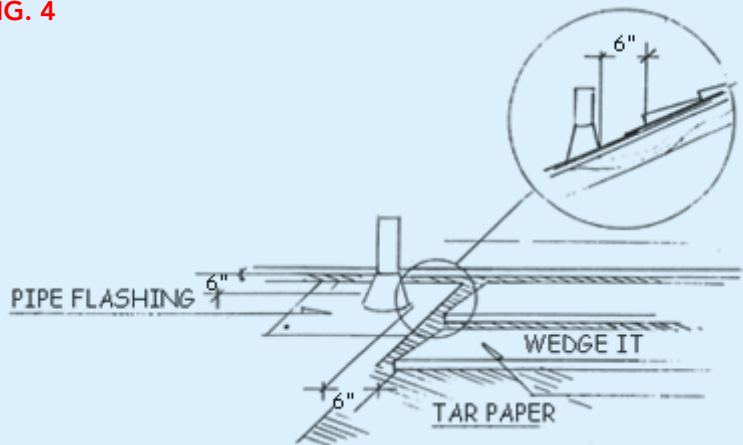


FIG. 4



PIPE FLASHING DETAIL

Maintain clearance around all pipe flashings and other roof protrusions so as not to impede water drainage.

Maintain a 6" clearance from the edge of the protrusion to the Wedge-It®.

CONSIDERATIONS

- It is not recommended to install partial areas of roof with Wedge-It®, as this will cause bumps in the roof.
- It is recommended to install entire sides and sections with Wedge-It®.
- It is recommended to paint the front edge of the first course of Wedge-it to avoid seeing this course from over the riser metal. Roofmaster™ Paint is recommended.
- While Wedge-It® can double the load capacity of some lite-weight roof tiles and increase the walkability of the roof, there is no guarantee against some breakage of tile. Wedge-It® accepts no responsibility if manufacturer instructions are not followed for installation of Wedge-It® and roof tile.

